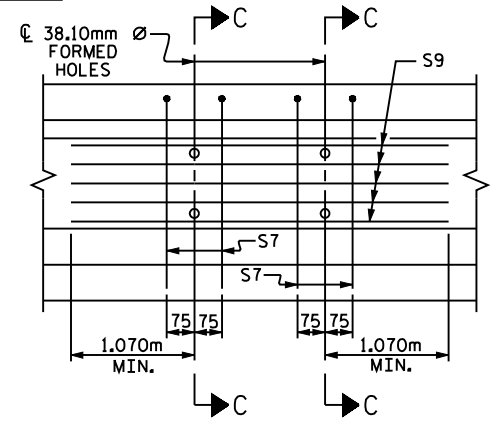
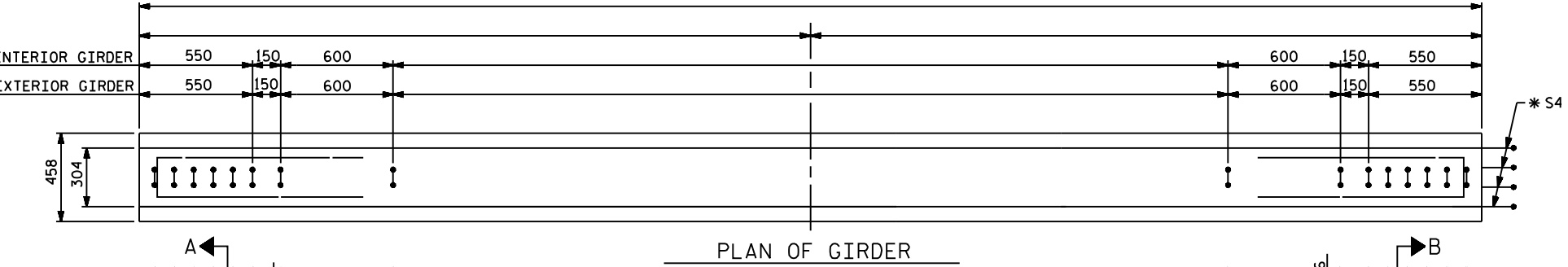
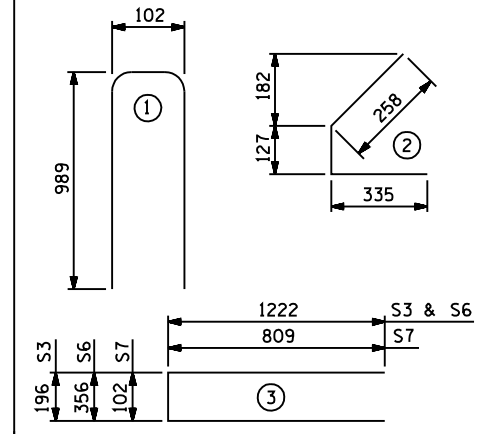


15.24mm Ø L. R. GRADE 270 STRANDS		
AREA (mm ²)	ULTIMATE STRENGTH (KN PER STRAND)	APPLIED PRESTRESS (KN PER STRAND)
140.00	260.7	195.5

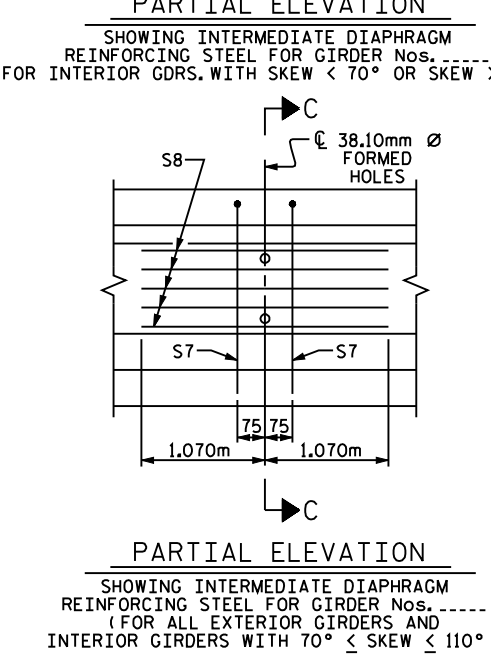
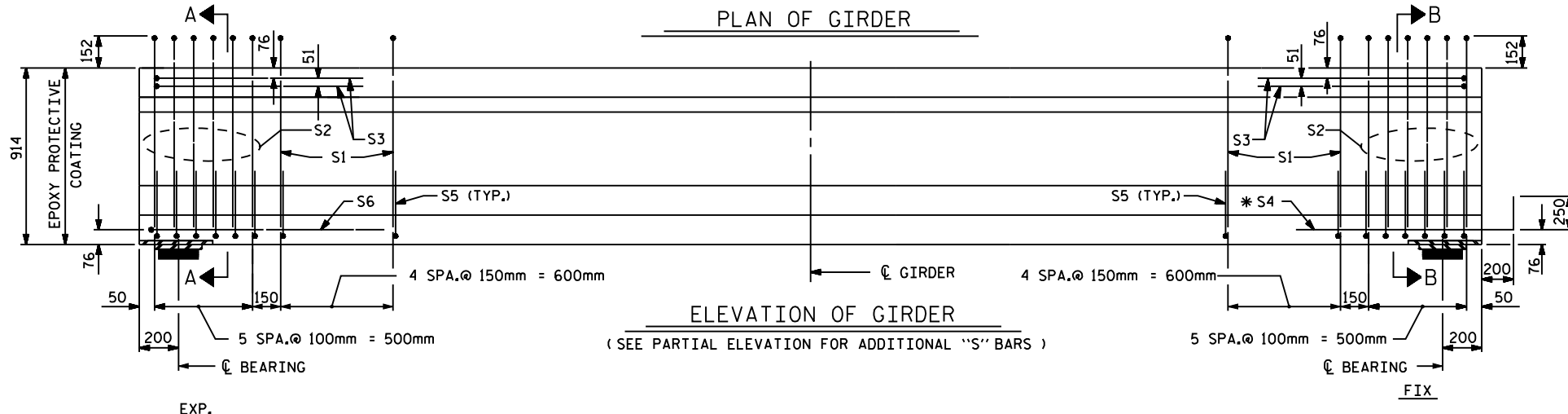
REINFORCING STEEL FOR ONE GIRDER					
BAR	NUMBER	SIZE	TYPE	LENGTH	WEIGHT
EXTERIOR GDR.	S1	#13	1	2080	
INTERIOR GDR.	S1	#13	1	2080	
	S2	#16	1	2080	39
	S3	#13	3	2640	10
	*S4	#16	STR	1120	7
	S5	#13	2	720	31
	S6	#13	3	2800	3
EXTERIOR GDR.	S7	#16	3	1720	
INTERIOR GDR.	S7	#16	3	1720	
EXTERIOR GDR.	S8	#13	STR	2140	
INTERIOR GDR.	S	#13	STR		

* NOTE: S4 BARS SHALL BE BENT BEFORE SHIPMENT. HEAT BENDING SHALL NOT BE ALLOWED.

BAR TYPES
ALL BAR DIMENSIONS ARE OUT-TO-OUT



QUANTITIES FOR ONE GIRDER		
REINFORCING STEEL	MPa CONCRETE	15.24mm Ø L.R. STRANDS
kg	m ³	No.
EXTERIOR GDR.		
INTERIOR GDR.		



GIRDERS REQUIRED		
NUMBER	LENGTH	TOTAL LENGTH

PROJECT NO. _____
COUNTY _____
STATION: _____

STATE OF NORTH CAROLINA
DEPARTMENT OF TRANSPORTATION
RALEIGH
STANDARD
AASHTO TYPE II
PRESTRESSED CONCRETE GIRDER
CONTINUOUS FOR LIVE LOAD

ASSEMBLED BY :	DATE :
CHECKED BY :	DATE :
DRAWN BY : ELR 8/91	REV. 8/16/99 RWW/LES
CHECKED BY : GRP 8/91	REV. 10/17/00R RWW/LES
	REV. 5/1/06R TLA/GM

REVISIONS						SHEET NO.
NO.	BY:	DATE:	NO.	BY:	DATE:	
1			3			TOTAL SHEETS
2			4			